

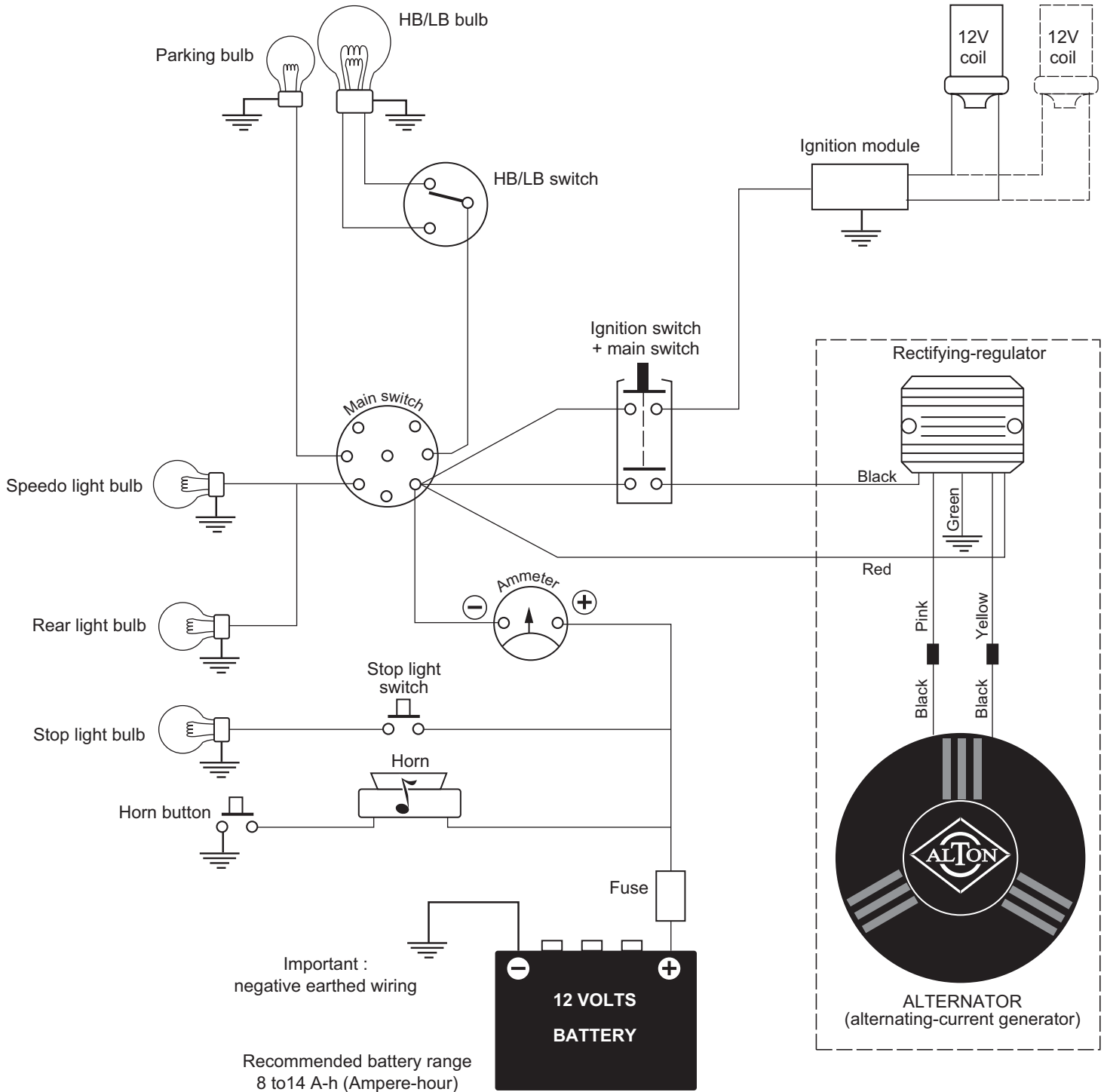
Typical diagram for connecting the Alton and its rectifying-regulator on a british classic motorcycle.

Connecting is very simple :

- 1) one black wire from the Alton to the yellow wire of the rectifying-regulator
- 2) the other black wire from the Alton to the pink wire of the rectifying-regulator
- 3) the red from the rectifying-regulator to the ammeter. The black to the ammeter via the main switch.
- 4) the green wire from the rectifying-regulator to the earth (ground) of motorcycle. The rectifying-regulator is specially designed for negative earthed wirings.

COIL IGNITION

Important : the Alton and its rectifying-regulator must not be used without battery.
 Recommended battery range : 8 to 14 Ampere-hour good quality battery.



ALTON 24 route de Kerscao, F29480 Le Relecq Kerhuon. France
Phone : + 33 298 283575 - Fax : + 33 298 282361
 E-mail : alton-france@orange.fr
<http://www.alton-france.com>



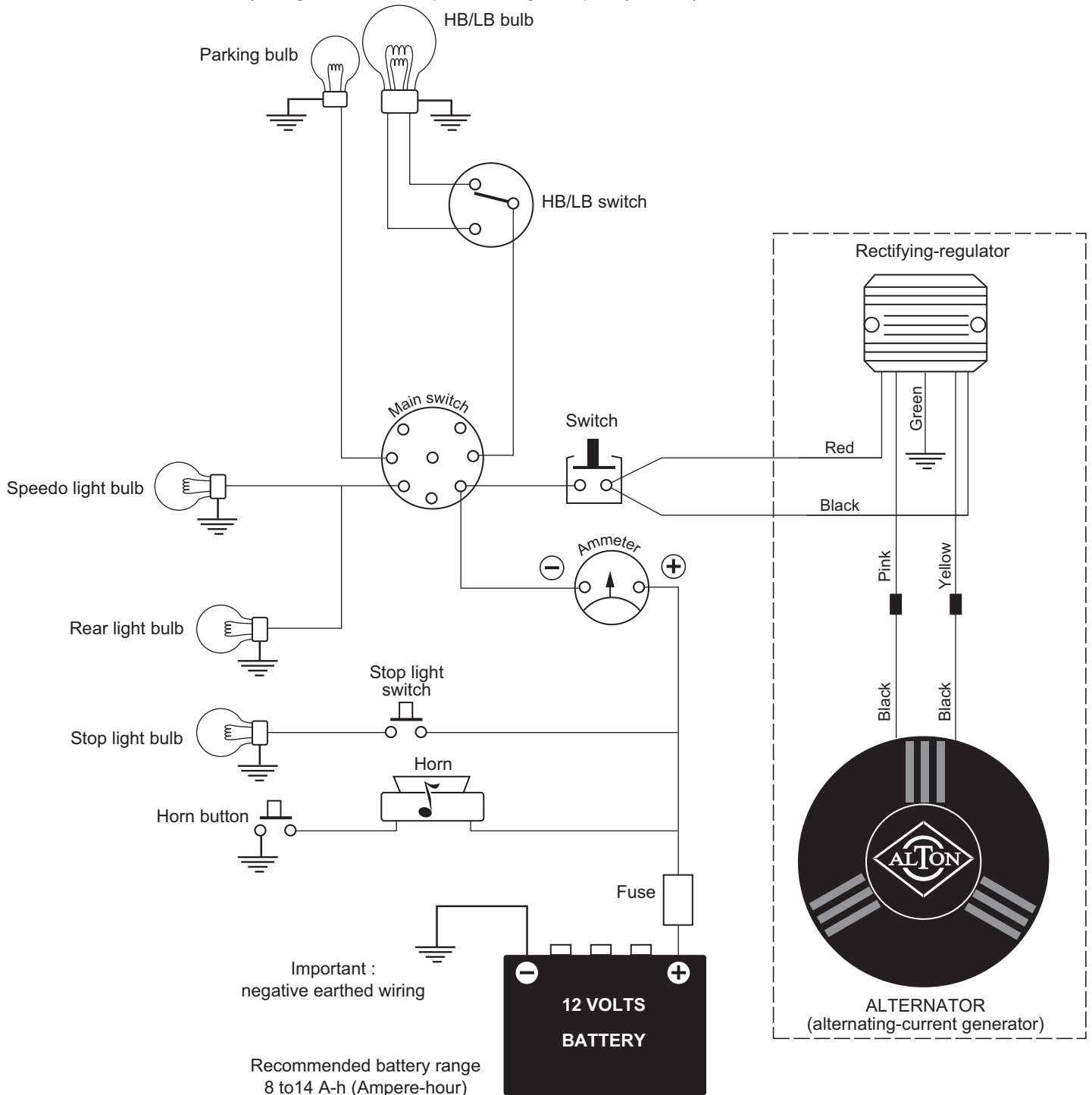
Typical diagram for connecting the Alton and its rectifying-regulator on a british classic motorcycle.

Connecting is very simple :

- 1) one black wire from the Alton to the yellow wire of the rectifying-regulator
- 2) the other black wire from the Alton to the pink wire of the rectifying-regulator
- 3) the black and red pair from the rectifying-regulator to the ammeter (via the main switch)
- 4) the green wire from the rectifying-regulator to the earth (ground) of motorcycle. The rectifying-regulator is specially designed for negative earthed wirings.

Important : the Alton and its rectifying-regulator must not be used without battery.

Recommended battery range : 8 to 14 Ampere-hour good quality battery.



ALTON 24 route de Kerscao, F29480 Le Relecq Kerhuon. France

Phone : + 33 298 283575 - Fax : + 33 298 282361

E-mail : alton-france@orange.fr

http://www.alton-france.com

